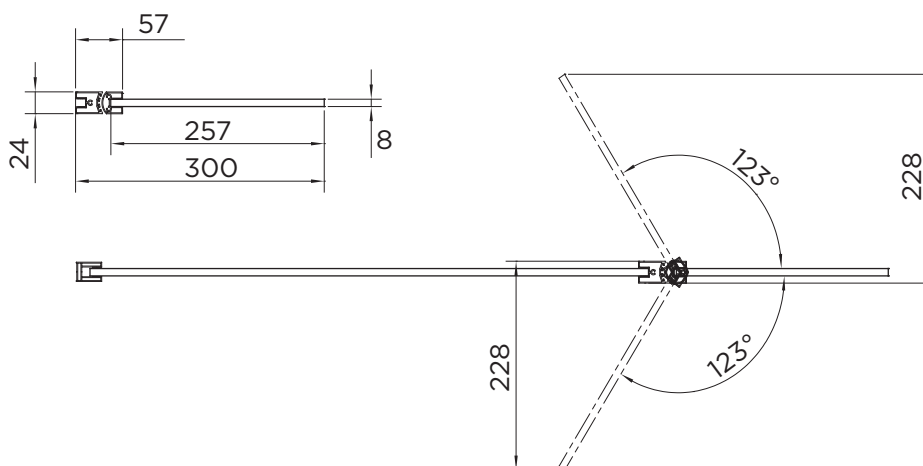


# SPECIFICATION

## wetroom 8

### WETROOM FLIPPER PANEL

|                            |                |
|----------------------------|----------------|
| RANGE                      | WETROOM 8      |
| PRODUCT                    | FLIPPER PANEL  |
| CODE                       | AQ8660BLK      |
| SIZE                       | 300            |
| PROFILE COLOUR             | BLACK          |
| GLASS THICKNESS            | 8mm            |
| GLASS FINISH               | CLEAR          |
| GLASS TREATMENT            | CLEAN & CLEAR™ |
| HEIGHT                     | 2000           |
| ADJUSTMENT IN RECESS       | N/A            |
| ADJUSTMENT WITH SIDE PANEL | N/A            |
| APERTURE                   | N/A            |
| GUARANTEE                  | LIFETIME       |
| CE                         | YES/EN14428    |
| GLASS BS EN                | EN12150-1T     |
| PROFILE MATERIAL           | ALUMINUM/6463# |
| HANDLE MATERIAL            | N/A            |
| HINGE MATERIAL             | N/A            |
| QUICK RELEASE ROLLERS      | N/A            |
| GLASS PANEL SIZE           | 257.4          |
| MOVING PANEL SIZE          | N/A            |
| PRODUCT HAND               | UNIVERSAL      |
| PRODUCT WEIGHT             | 19KG           |
| PACKAGED DIMENSIONS        | 2080x351x48    |
| BARCODE                    | 5031978085275  |



\*All shower enclosures carry a Lifetime Guarantee when fitted with an Aquadart shower tray, a 10 year Guarantee will be given when fitted with any other manufacturer's tray.

To register your Guarantee visit: [www.aquadart.co.uk](http://www.aquadart.co.uk) | Spare Parts available at: [www.aprilaquadartspares.co.uk](http://www.aprilaquadartspares.co.uk)

All measurements in mm and are nominal