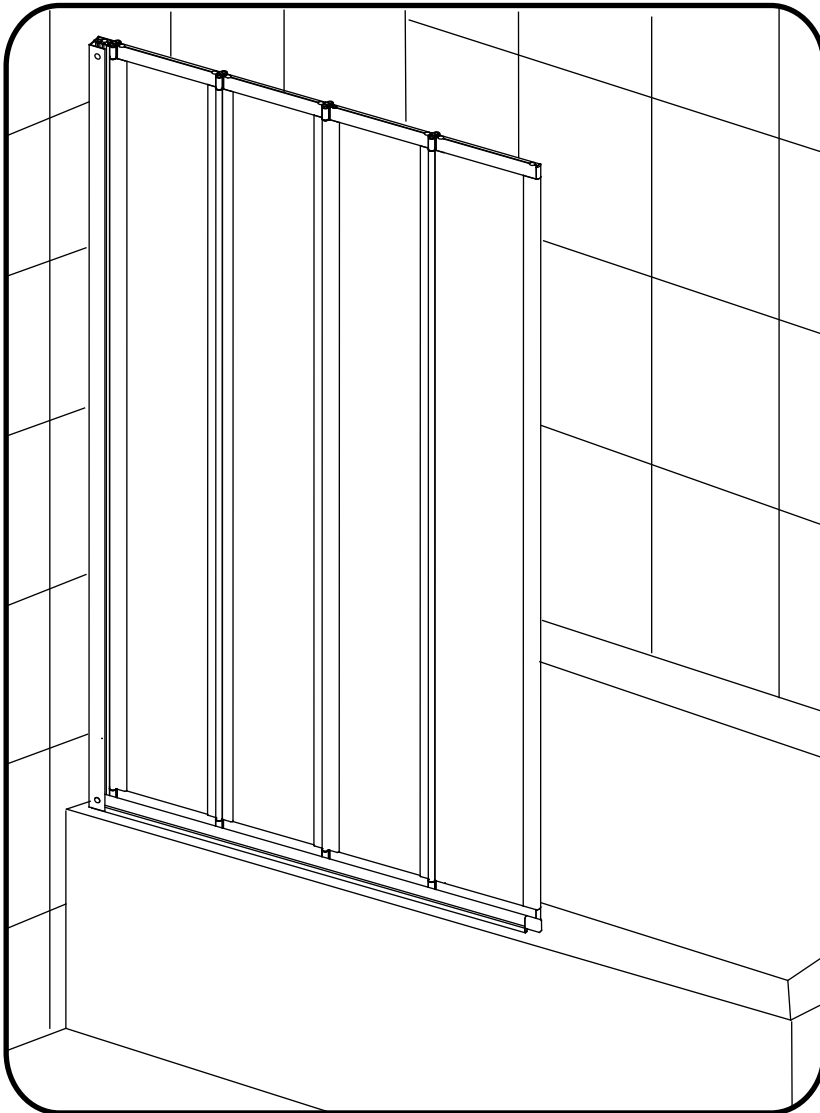


INSTALLATION INSTRUCTIONS

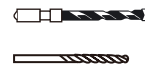
www.aquadart.co.uk



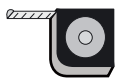
Tools Required



Drill



6mm Masonry Drill
2.75mm HSS Drill



Tape Measure



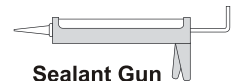
Spirit level



PH2 TYPE
Screwdriver



Pencil



Sealant Gun

Please note hand tools **NOT** supplied.

IMPORTANT

This product should be installed by a suitably qualified and proficient person. The fitting instructions should be followed carefully to ensure a proper and safe installation. Failure to follow these instructions could result in future injury.

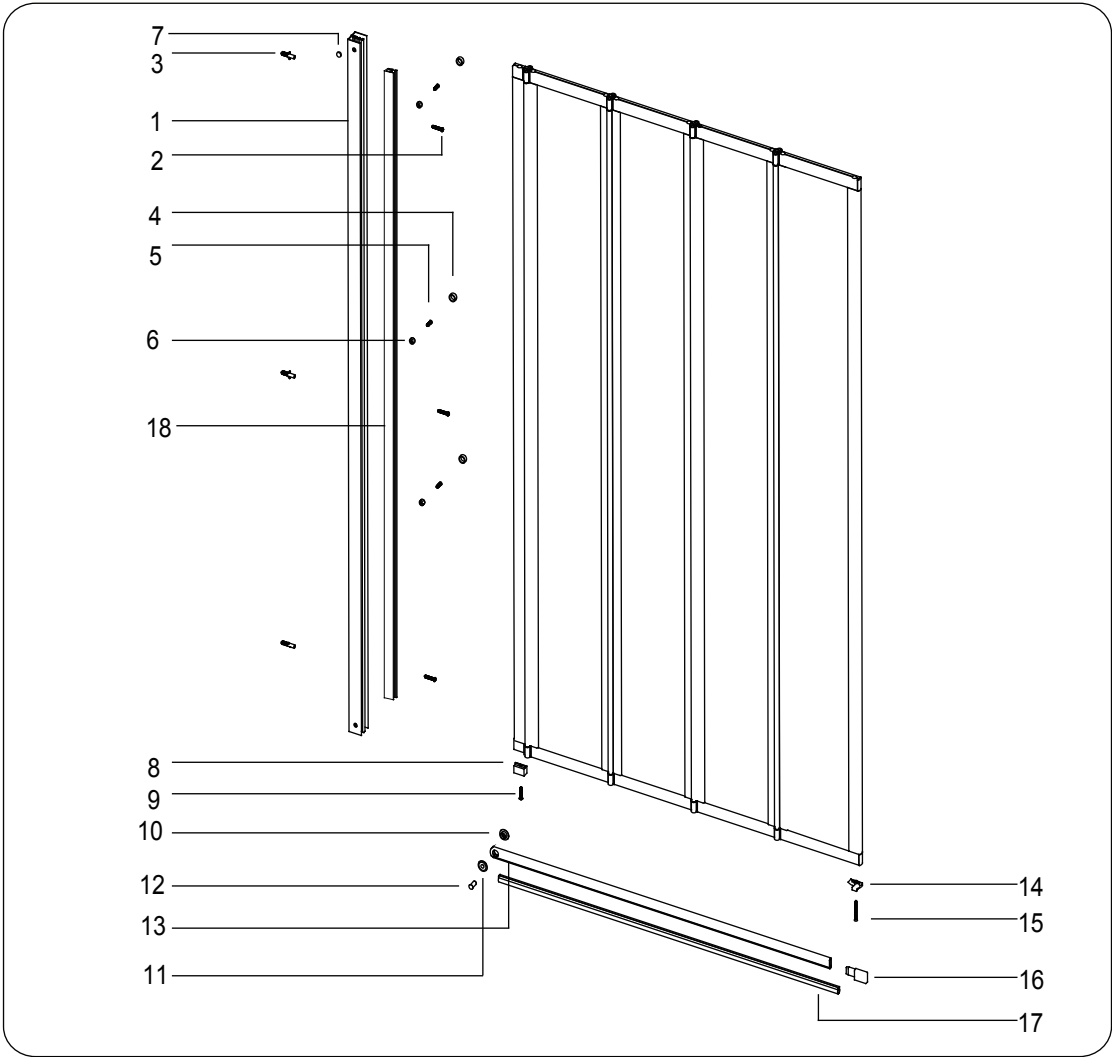
These instructions and list of parts assume that installation is done against solid/tiled walls.

Please check this product for damage prior to starting the installation. No claims can be made after the product has been fitted.

PLEASE NOTE :The minimum and maximum adjustment sizes noted on the product brochures are based on perfectly plumb walls and trays.

USE SAFETY EYE-WEAR WHEN DRILLING

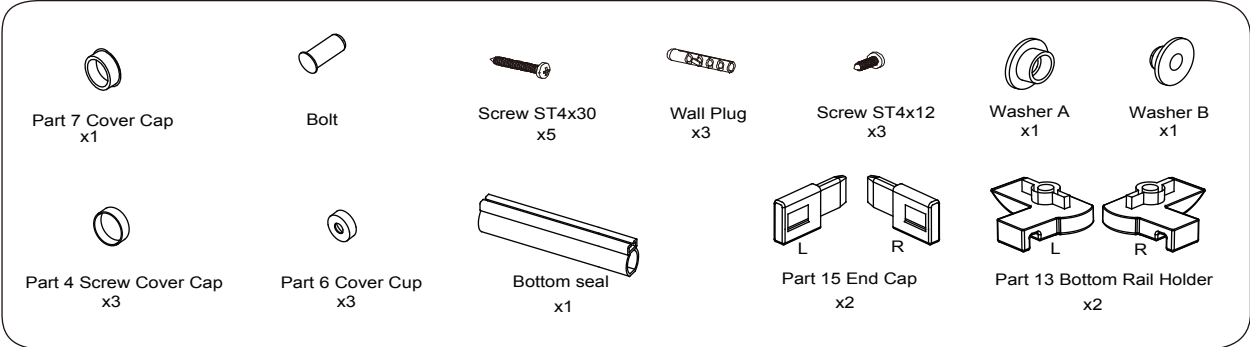
COMPONENTS AND BOX CONTENTS

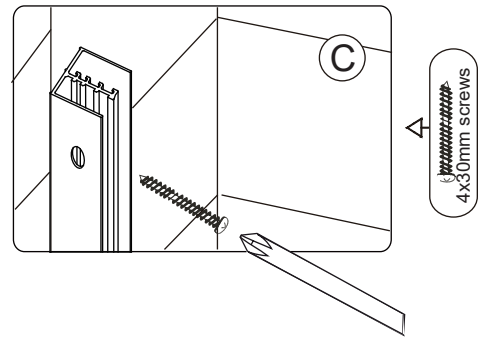
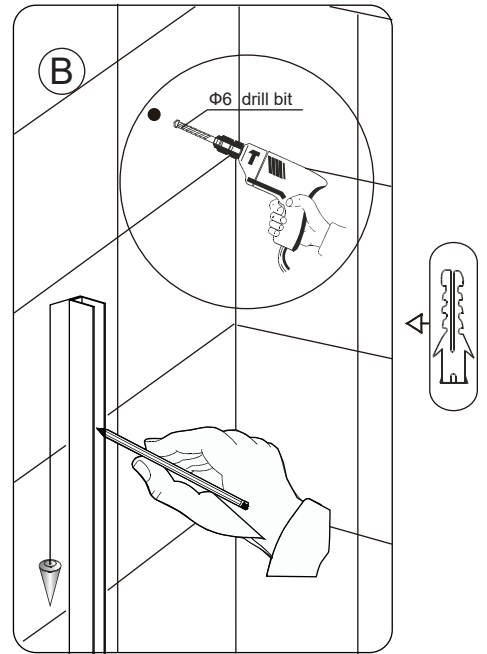
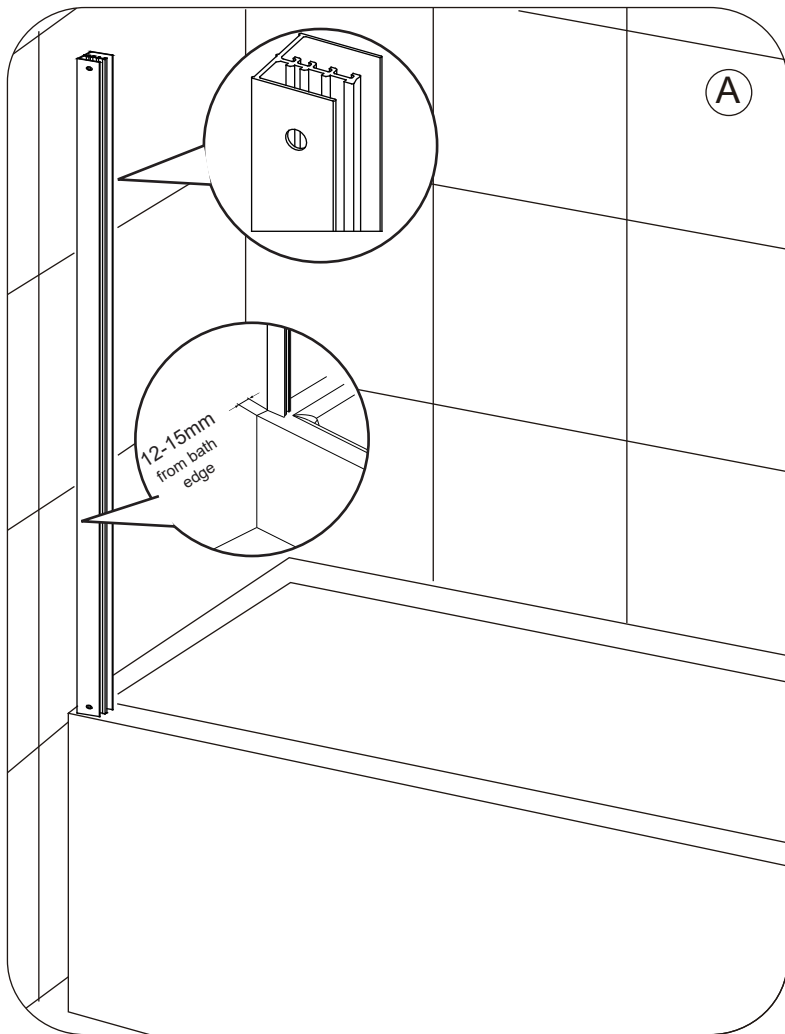


Box Contents

No.	Description	Qty	No.	Description	Qty
1	Wall Profile	1	10	Washer A	1
2	Fixing Screw ST4x30	3	11	Washer B	1
3	Wall Plug	3	12	Bolt	1
4	Cover Cap A	3	13	Bottom Rail	1
5	Fixing Screw ST4x12	3	14	Bottom Rail Holder	2(L&R)
6	Cover Cup	3	15	Fixing Screw ST4X30	1
7	Cover Cap B	1	16	End Cap	2(L&R)
8	Bottom Piece	1	17	Bottom Seal	1
9	Fixing Screw ST4x30	1	18	Rail Holder Seal	1

Fixing Kit



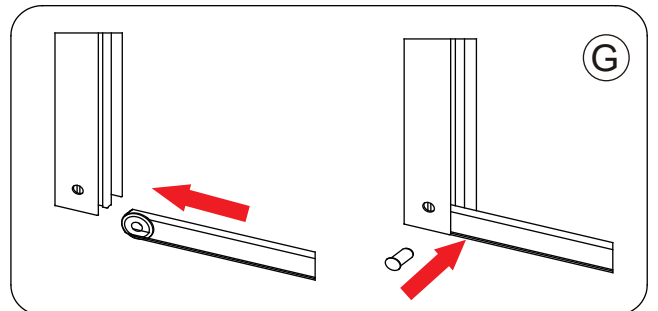
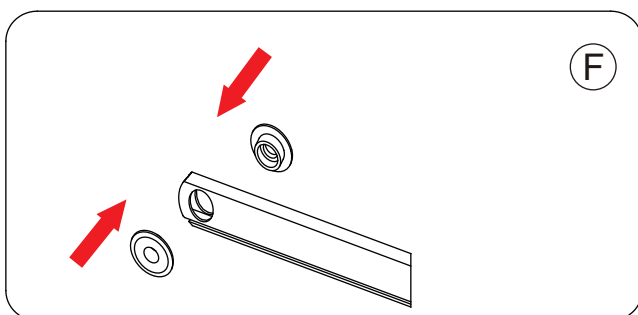
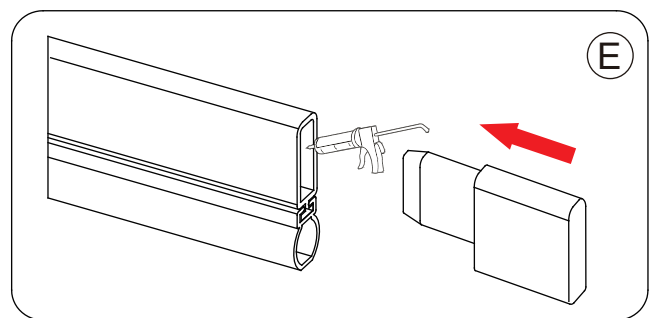
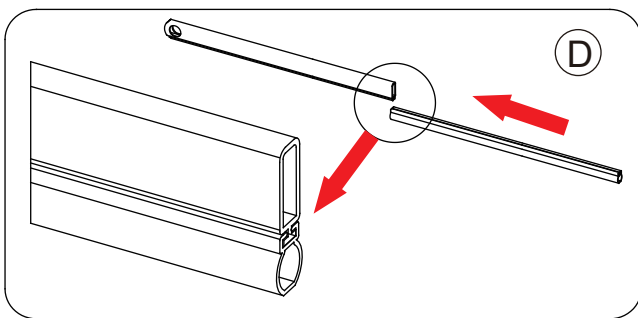


Step 1: Position the wall profile (No.1) onto the bath, approximately 12-15mm from the outside bath edge, ensuring that the side with the pre-drilled holes are facing outwards from the bath (Diagram A).

Step 2: Level the profile with a spirit level, then mark the position using a pencil through the 3 pre-drilled screw holes in the wall profile, drill the marked points using a 6mm masonry drill bit. Once this is done insert 3 wall plugs (No.3) (Diagram B).

NOTE: You may find it easier to mark and drill the wall if you apply masking tape to it first.

Step 3: Secure the wall profile using 3 x ST4X30 screws (No.2) (Diagram C).

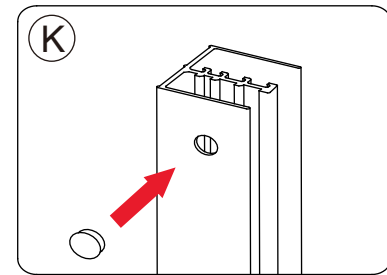
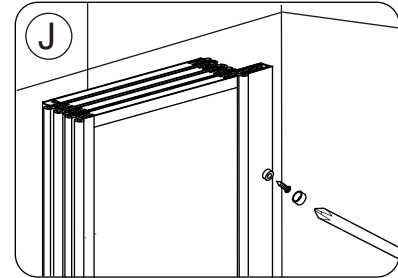
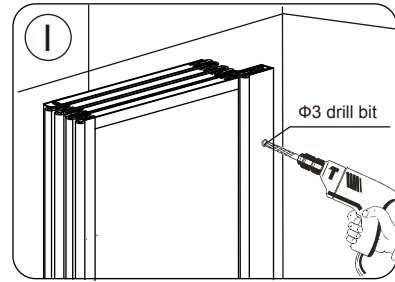
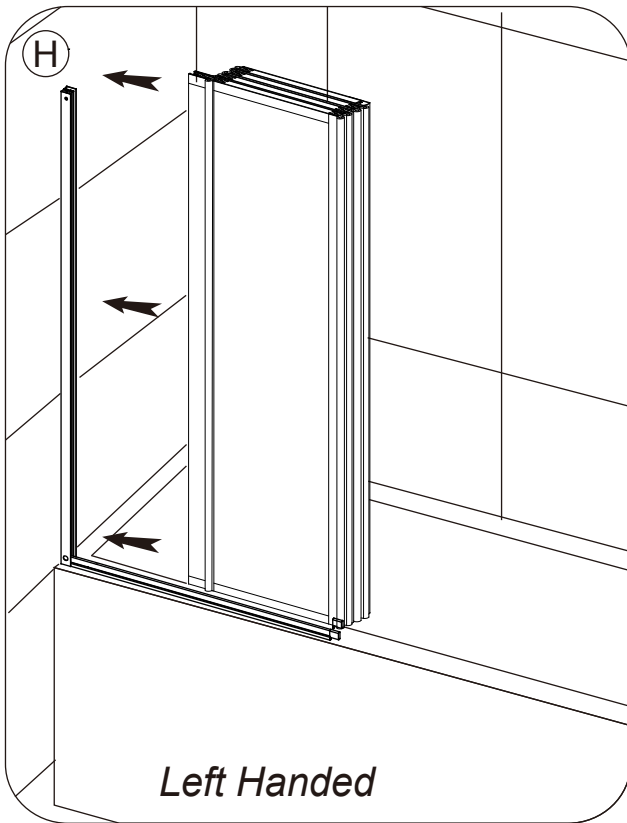


Step 4 : Inset the bottom seal(No.17) onto the bottom rail profile(No.13). (Diagram D)

Step 5 : Drop a little bit of silicone sealant into the arm rail profile (No.13) then press the correct handed end cap (No.16) into the arm rail profile (No.13) (Diagram E)

Step 6 : Fit the washers(No.10, No.11) onto the bottom rail profile(No.13) (Diagram F).

Step 7 : Fit the assembled bottom rail onto the wall profile then inset the bolt (No.12) to fix the bottom rail profile.(Diagram G)



Step 8 : Push the bath screen assembly onto the wall profile(Diagram H).

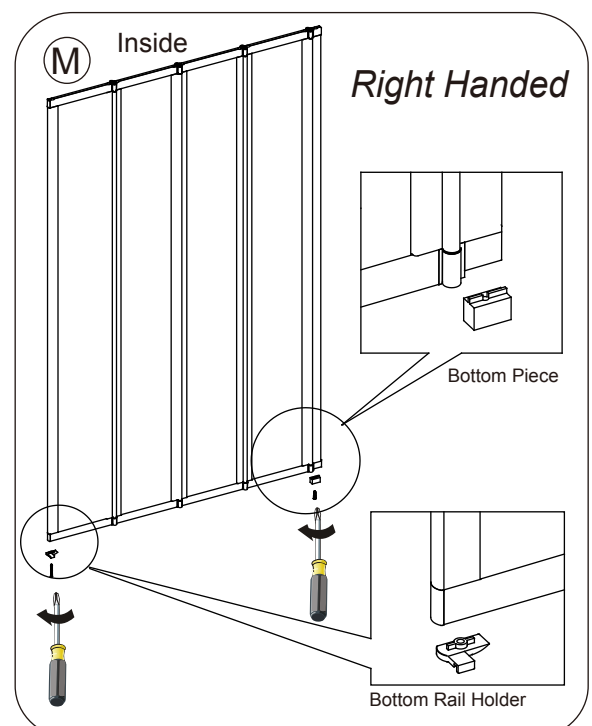
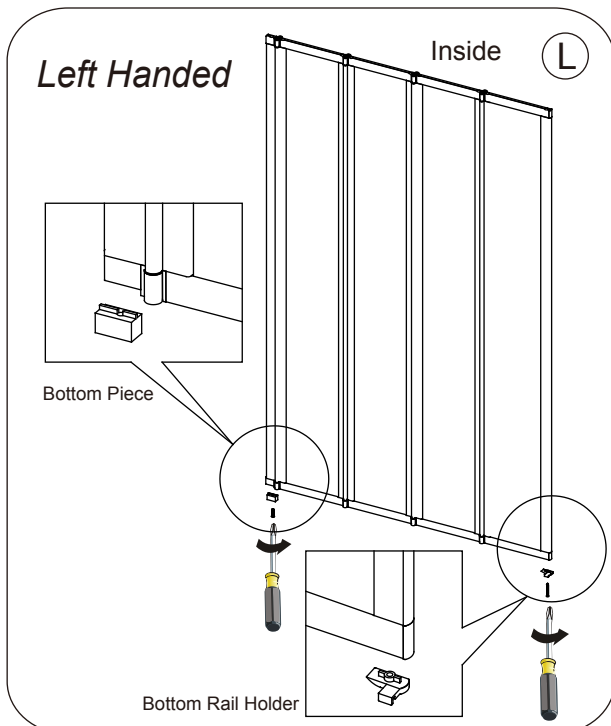
Step 9 : Drill 3 equally spaced holes with a 3mm drill bit through the wall profile into the frame(Diagram I)

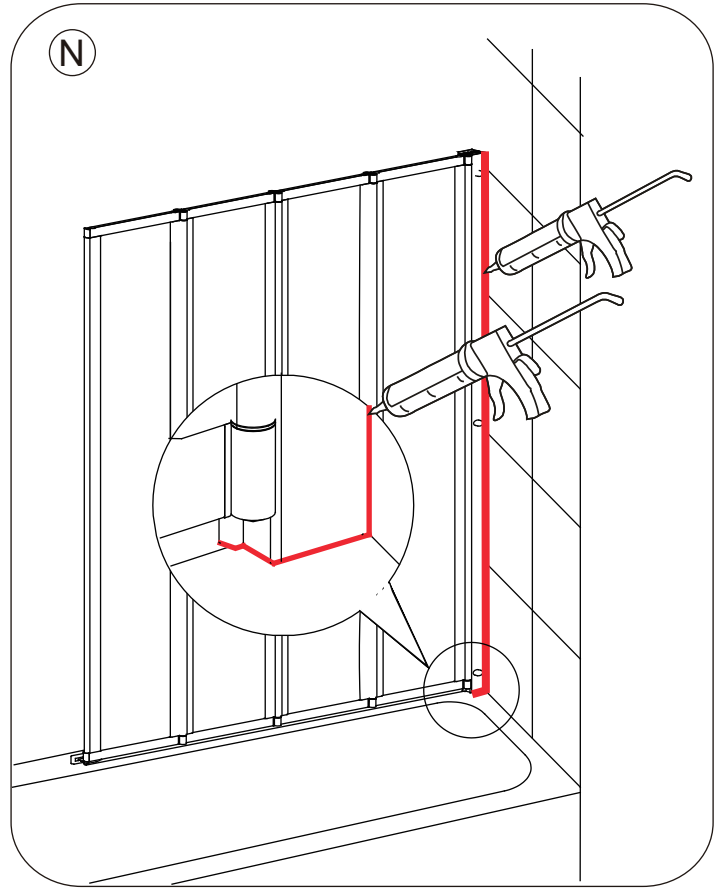
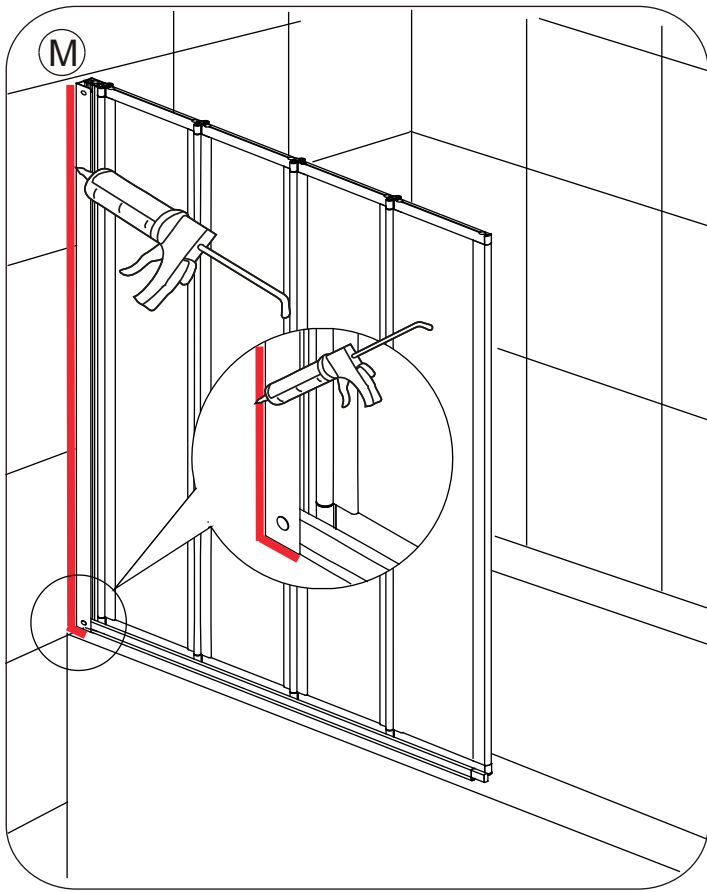
Step 10 : Fix the bath screen assembly to the wall profile using the screws ST4 x 12 (No.5) (Diagram J)

Step 11: Press the cover cap(No.7) into the hole at the top of the wall profile(Diagram K)

Note:Follow the below steps to assemble the bath screen into a **right hand version**. The bath screen is pre-assembled in **left hand format**.

Loosen the bottom piece and the bottom rail holder from the bath screen assembly(Diagram L),reverse the bath screen then re-fix the bottom piece and the right handed bottom rail holder(Diagram M).



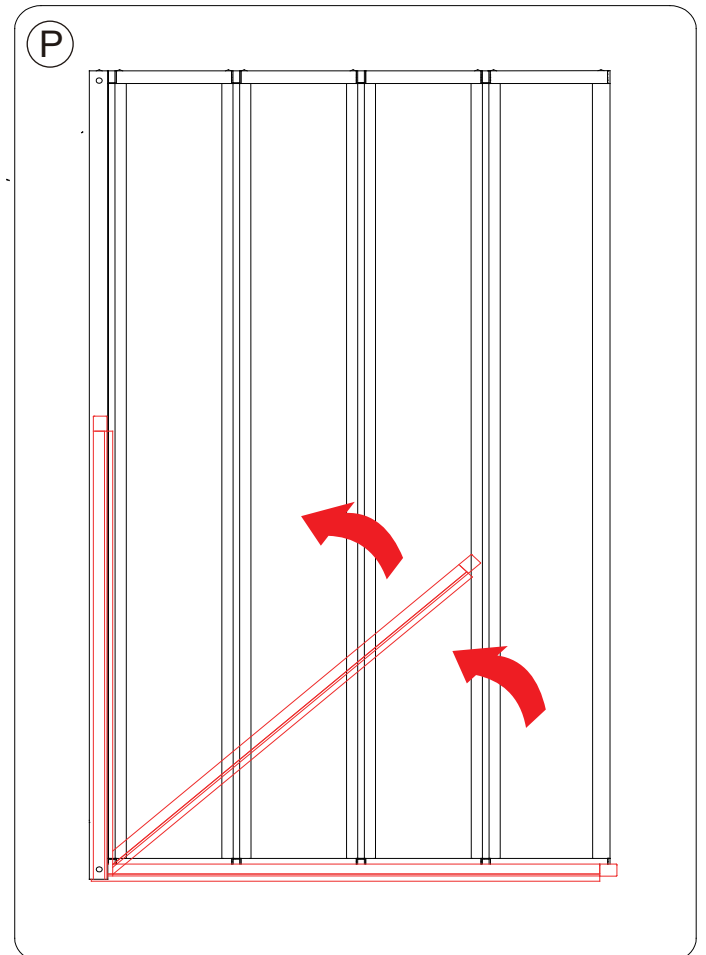
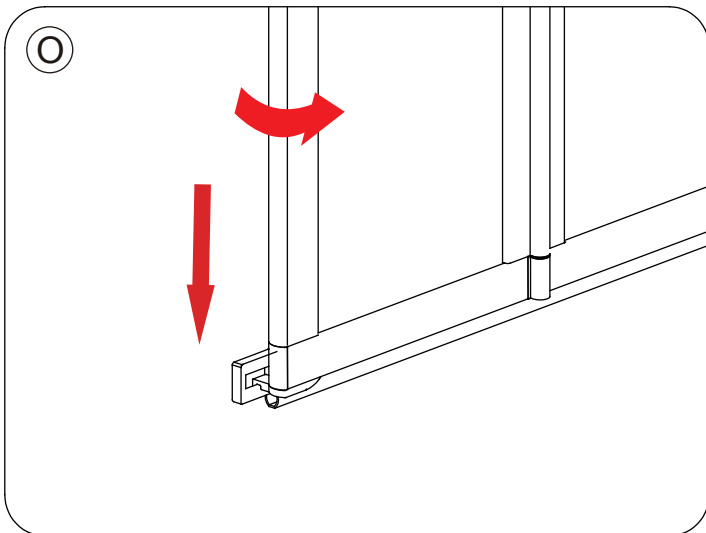


Step 12: Silicone the outside of the wall post as shown(M).

Step 13: Silicone the inside of the wall post as shown(N).

To fold the bath screen please follow the steps as below:

Press the bottom rail profile with a soft downwards motion to release it from the end panel of the bath screen (Diagram O). Lift the bottom rail to rotate it into the wall profile channel(Diagram P), then you can fold the bath screens.



24 HRS

**DO NOT USE THE
ENCLOSURE FOR
24 HOURS AFTER
SEALING**

AFTERCARE

Cleaning Instructions

It is important to clean your Aquadart shower enclosure after every use. Please wipe down all glass and metal parts with a clean soft cloth. Ensure that all residual water on the glass is removed after every use.

Usage

For reliable, watertight performance from your Aquadart enclosure your shower head should not be positioned so that the shower sprays directly onto the enclosure door. Failure to comply with this may cause the shower to leak. Outward opening doors may cause water to drip onto the floor, please ensure that the floor covering immediately outside the enclosure will not be affected by water.



This product has been treated with Clean & Clear™ easy clean glass treatment, a protective barrier which creates a 'non-stick' surface on your glass, helping to resist lime scale build up and water spots. For further information on Clean & Clear™ please visit www.aquadart.co.uk

Aftercare

Clean & Clear™ glass can be cleaned with any suitable nonabrasive glass cleaner - with PH value of between 3-11; the coating will not be damaged. Avoid surfactants and heavily perfumed products. Vinegar and water based products are very effective. Do not use abrasive scrubbing cleaners or equipment for cleaning.

Warranty

Limited 5 year Warranty for Clean & Clear™ treatment: To guarantee treated surfaces will remain more repellent than untreated glass for 5 years from start of use, as long as basic manufacturer maintenance recommendations are followed and no harsh or abrasive cleaners are used.