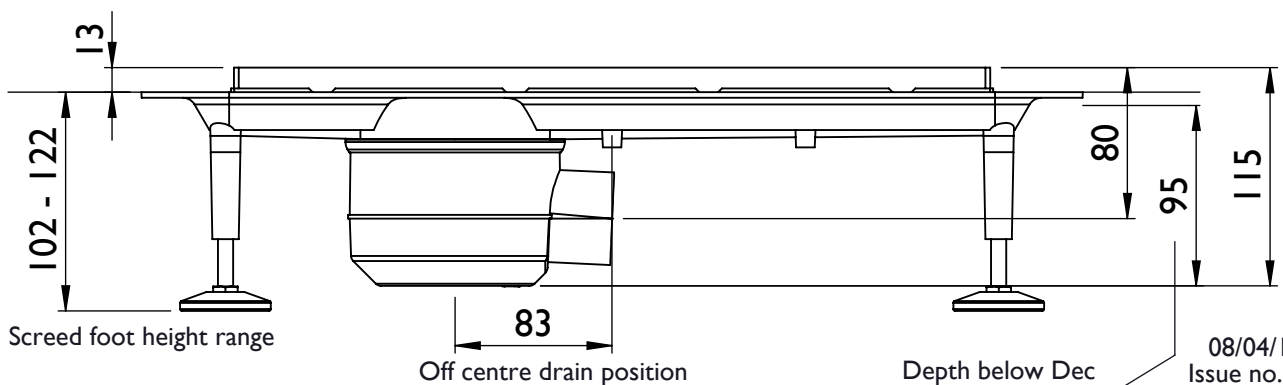
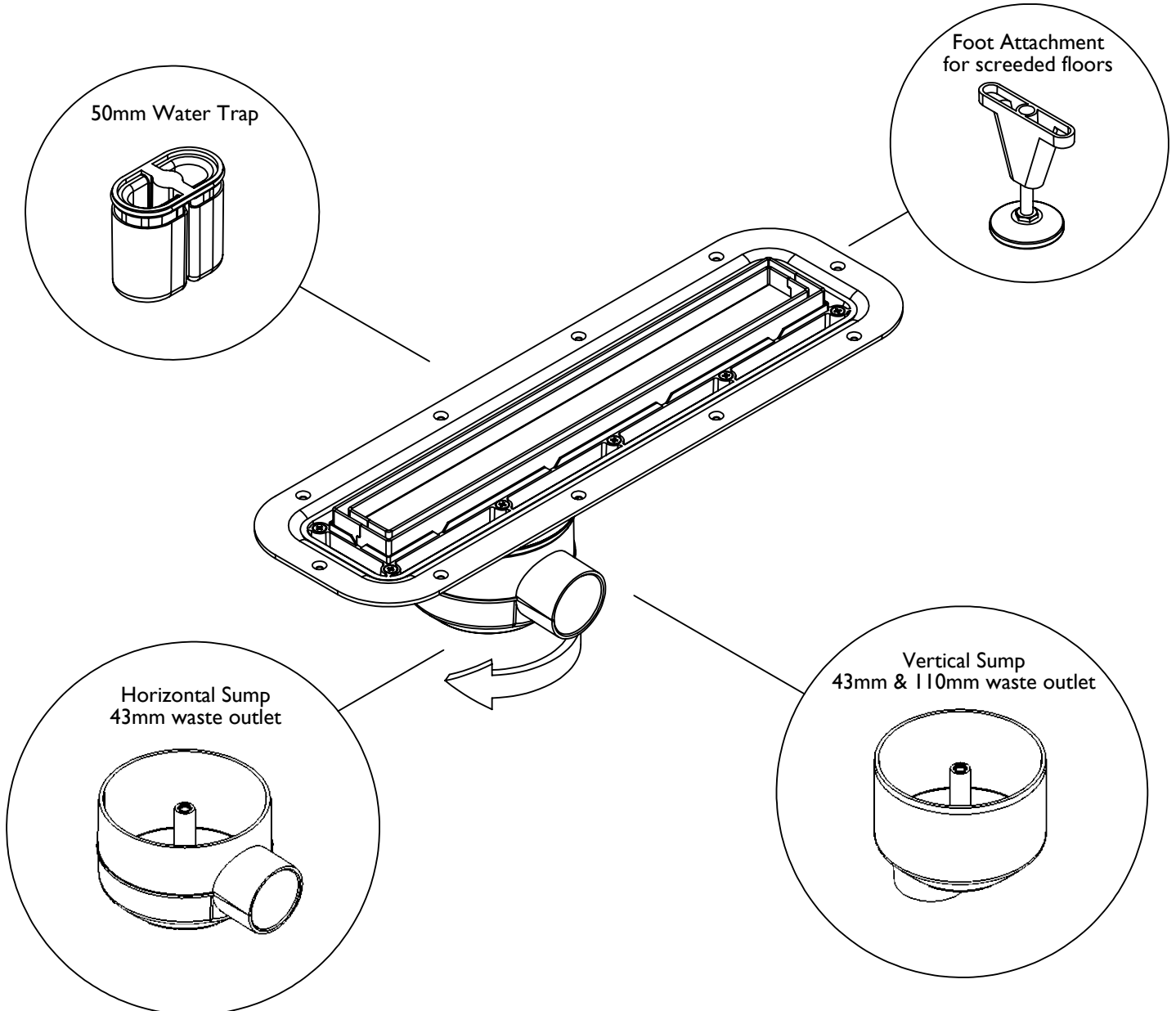


UT01 Tiled Linear Drain Datasheet

Overview

The Universal Trap comprises a set of interchangeable components which are combined to make a range of drain products. The range includes both linear and wet floor drains for use in corresponding Impey Decs, as well as stand alone linear drains for use in a concrete screeded floor.

The term 'Universal Trap' is used in reference to the trap and sump components which are shared across all drain configurations. This document covers the tiled version of the linear drain.



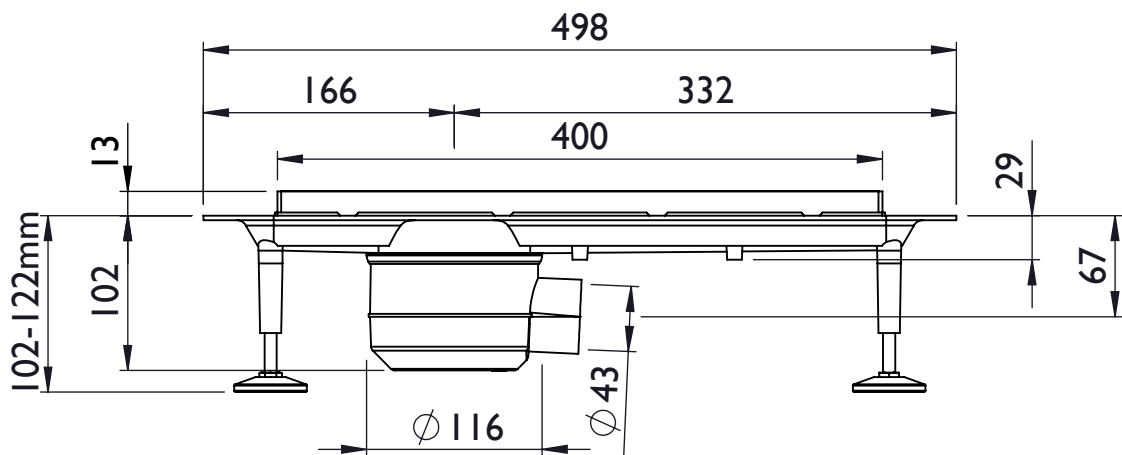
Tiled Linear Drain Features Summary

	UT01 Tiled Linear Drain 400mm, 600mm, 800mm
Depth less than 100mm	✓
Horizontal outlet (43mm)	✓
Vertical outlet (43mm)	✓
50mm Water seal	✓
Easy Clean trap (top access)	✓
110mm connection (vertical)	✓
Membrane Clamp	✓
Will accept tiles 8-10mm	✓
Off centre waste	✓

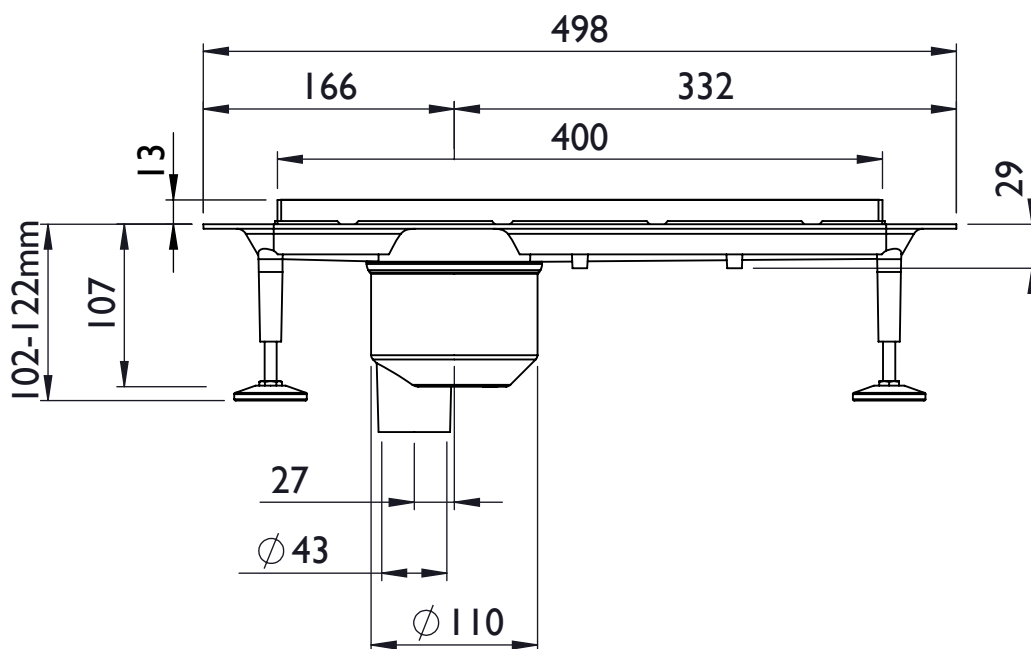
Tile Thickness Range	
Tile Thickness	Adhesive Thickness Required
8mm	4mm
9mm	3mm
10mm	2mm

Dimensional Summary - 400 Linear

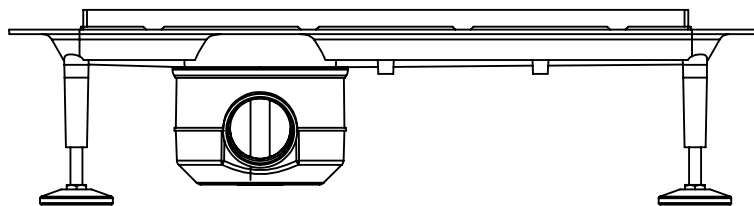
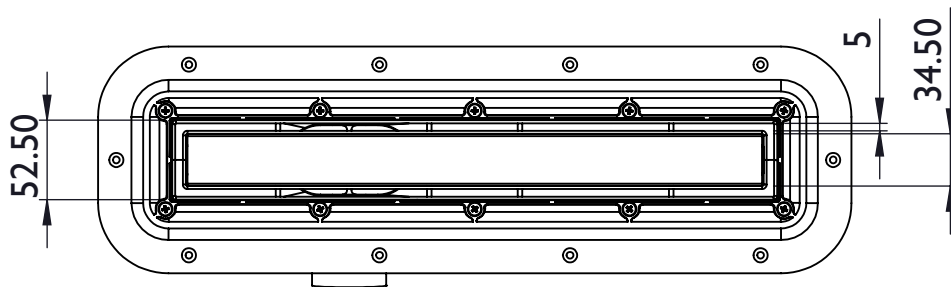
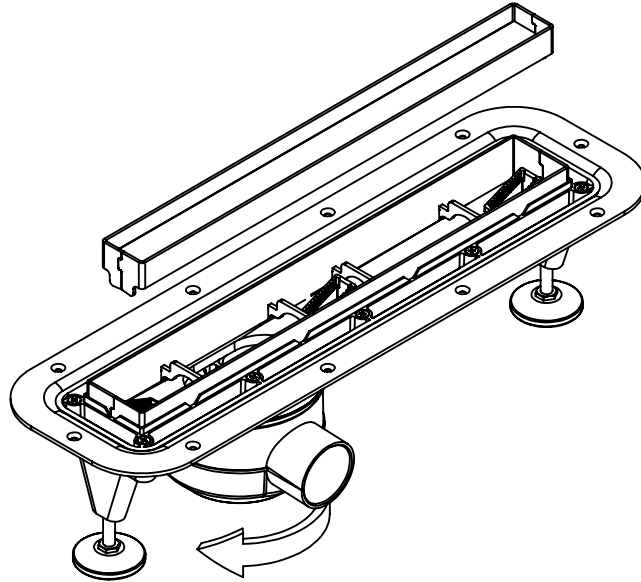
TILED LINEAR 400 - HORIZONTAL OUTLET - SCREEDED



TILED LINEAR 400 - VERTICAL OUTLET - SCREEDED

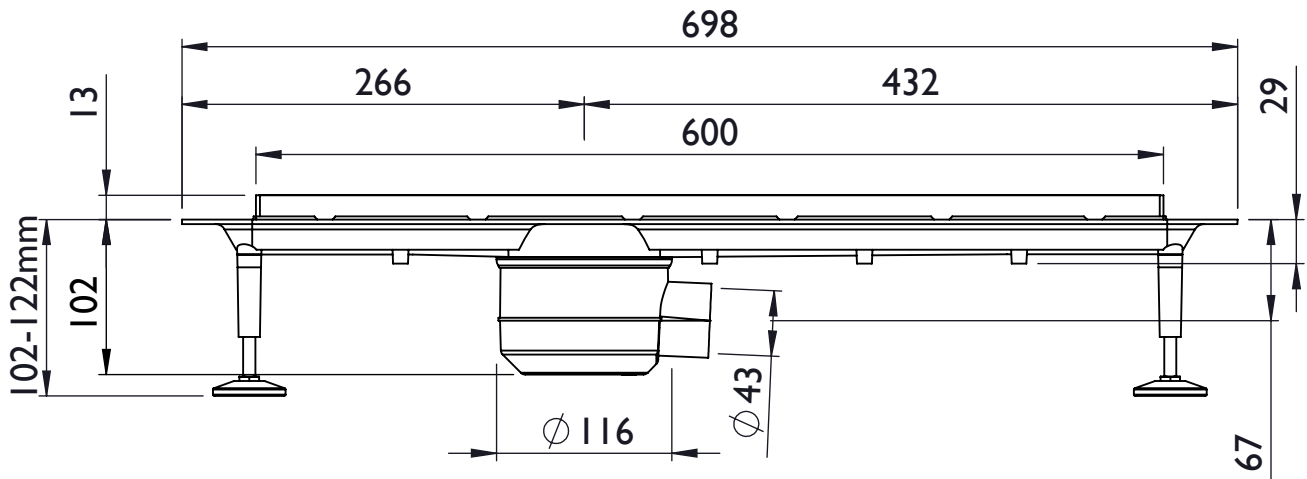


Dimensional Summary - 400 Linear

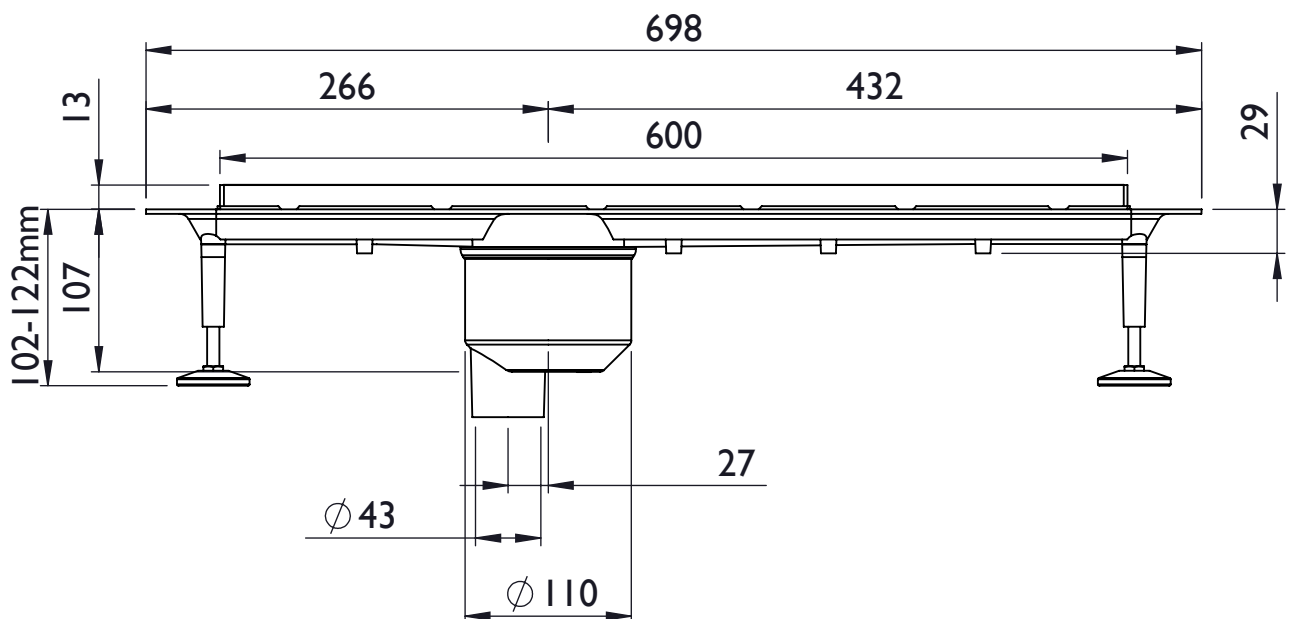


Dimensional Summary - 600 Linear

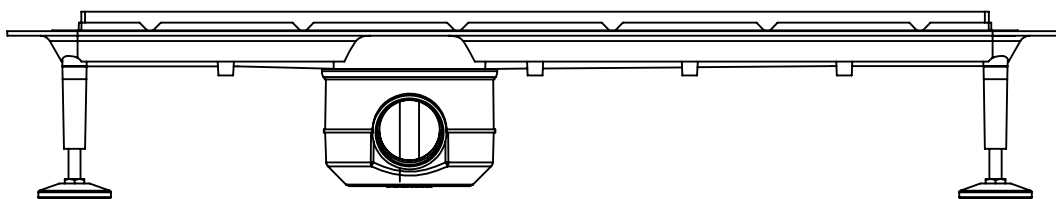
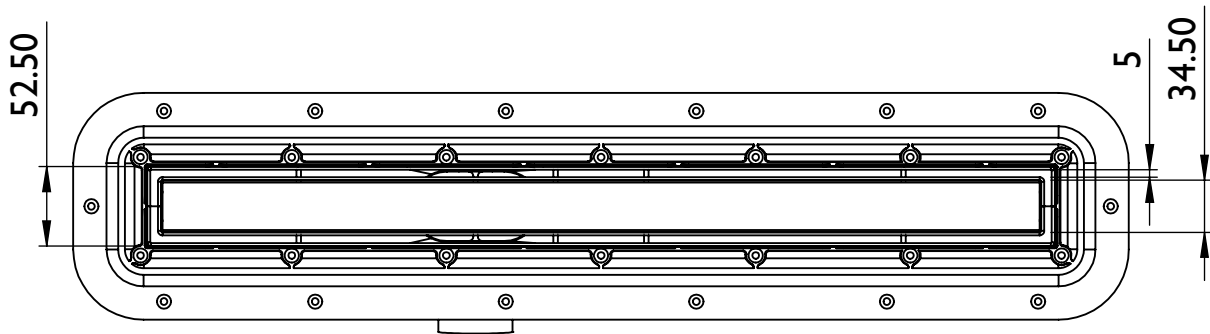
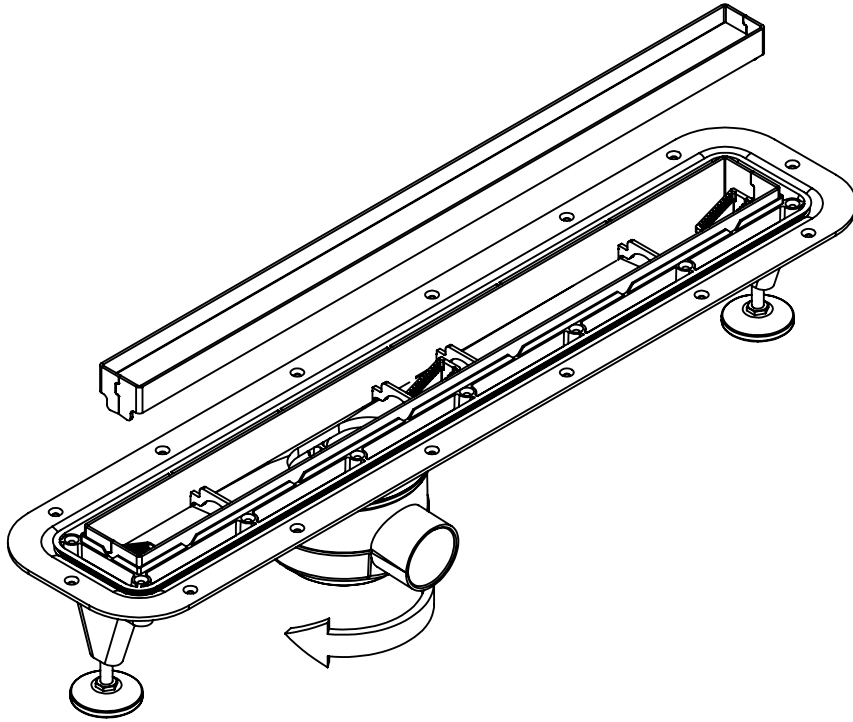
TILED LINEAR 600 - HORIZONTAL OUTLET - SCREEDED



TILED LINEAR 600 - VERTICAL OUTLET - SCREEDED

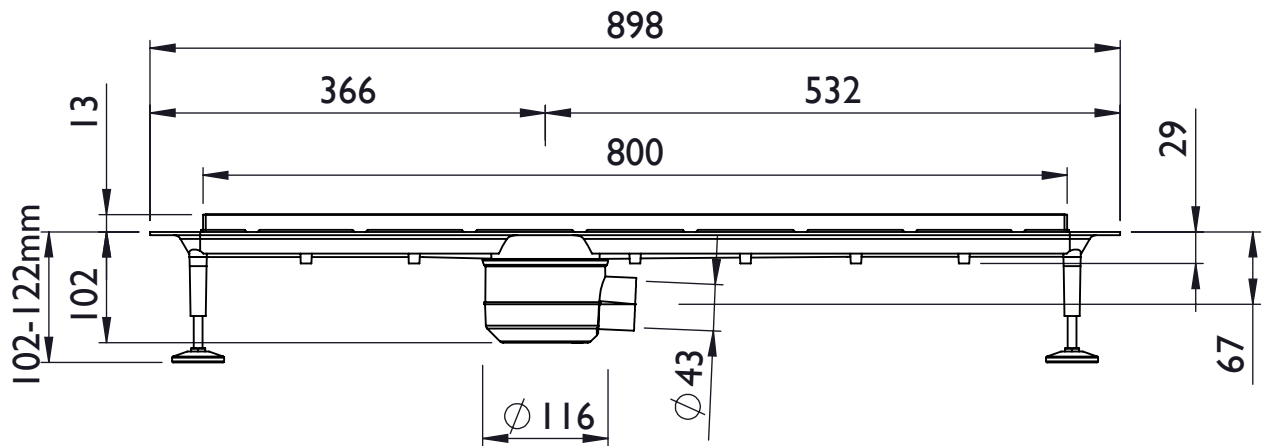


Dimensional Summary - 600 Linear

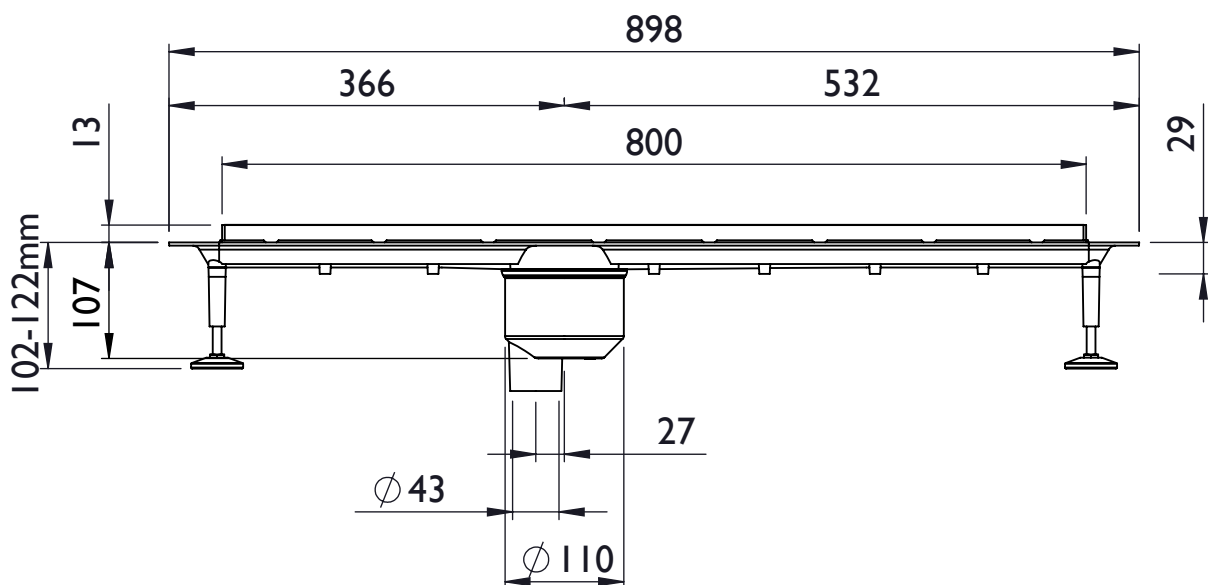


Dimensional Summary - 800 Linear

TILED LINEAR 800 - HORIZONTAL OUTLET - SCREEDED



TILED LINEAR 800 - VERTICAL OUTLET - SCREEDED



Dimensional Summary - 800 Linear

