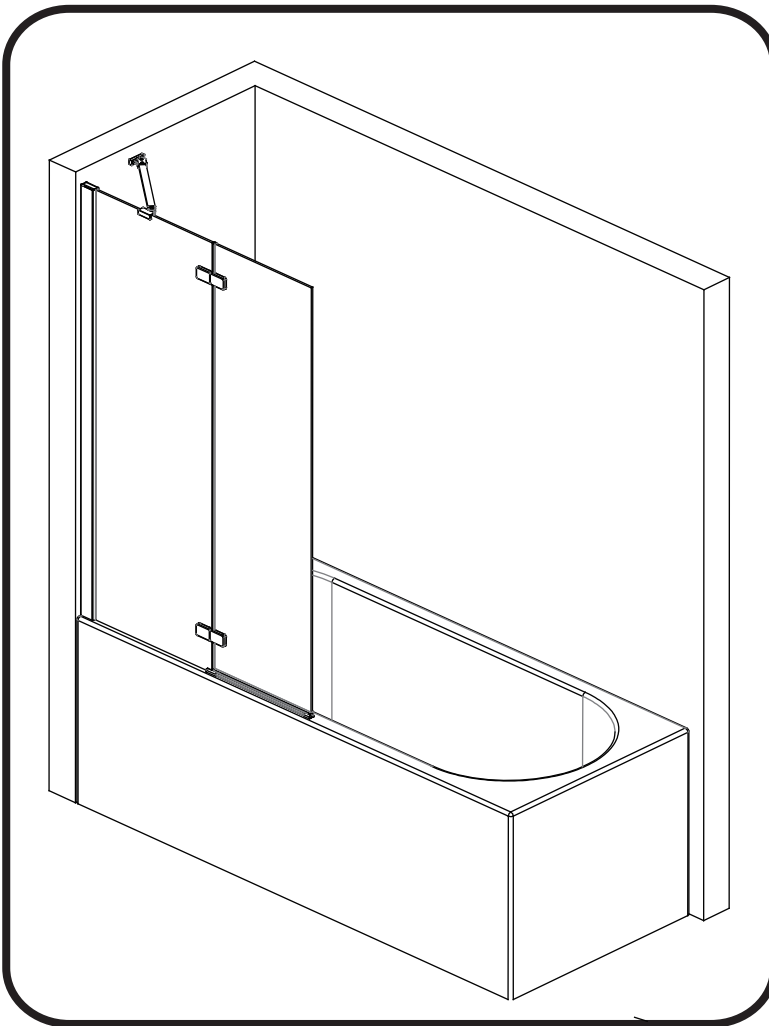


AQ6003L - 2 Panel Bath Screen LH
 AQ6003R - 2 Panel Bath Screen RH
 AQ6003L-BLK - 2 Panel Bath Screen LH Black
 AQ6003R-BLK - 2 Panel Bath Screen RH Black

INSTALLATION INSTRUCTIONS

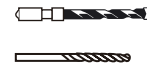
www.aquadart.co.uk



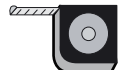
Tools Required



Drill



6mm Masonry Drill
2.75mm HSS Drill



Tape Measure



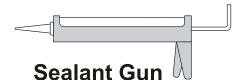
Spirit level



PH2 TYPE
Screwdriver



Pencil



Sealant Gun

Please note hand tools **NOT** supplied.

IMPORTANT

This product should be installed by a suitably qualified and proficient person. The fitting instructions should be followed carefully to ensure a proper and safe installation. Failure to follow these instructions could result in future injury.

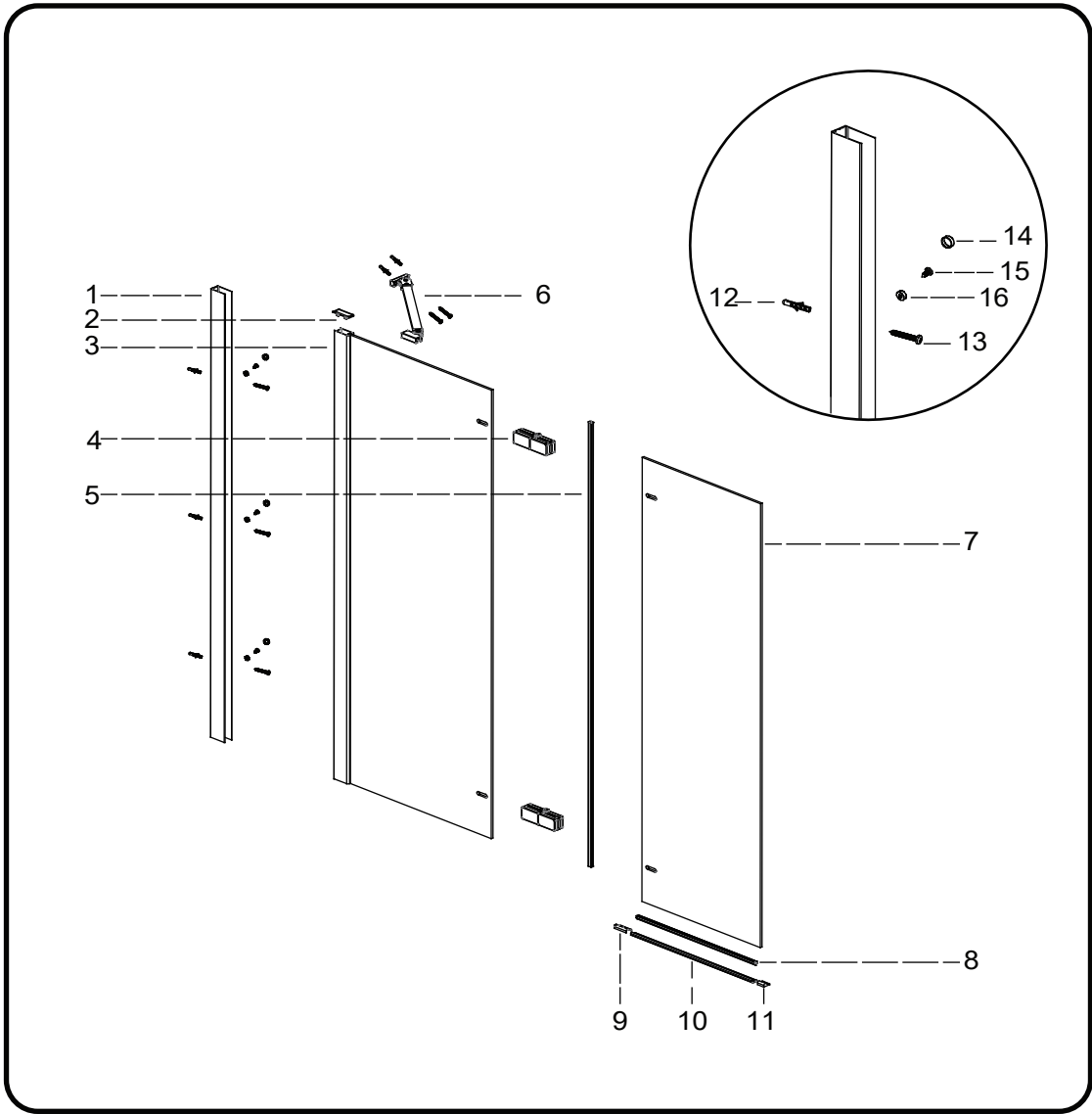
These instructions and list of parts assume that installation is done against solid/tiled walls.

Please check this product for damage prior to starting the installation. No claims can be made after the product has been fitted.

PLEASE NOTE :The minimum and maximum adjustment sizes noted on the product brochures are based on perfectly plumb walls and trays.

USE SAFETY EYE-WEAR WHEN DRILLING

COMPONENTS AND BOX CONTENTS

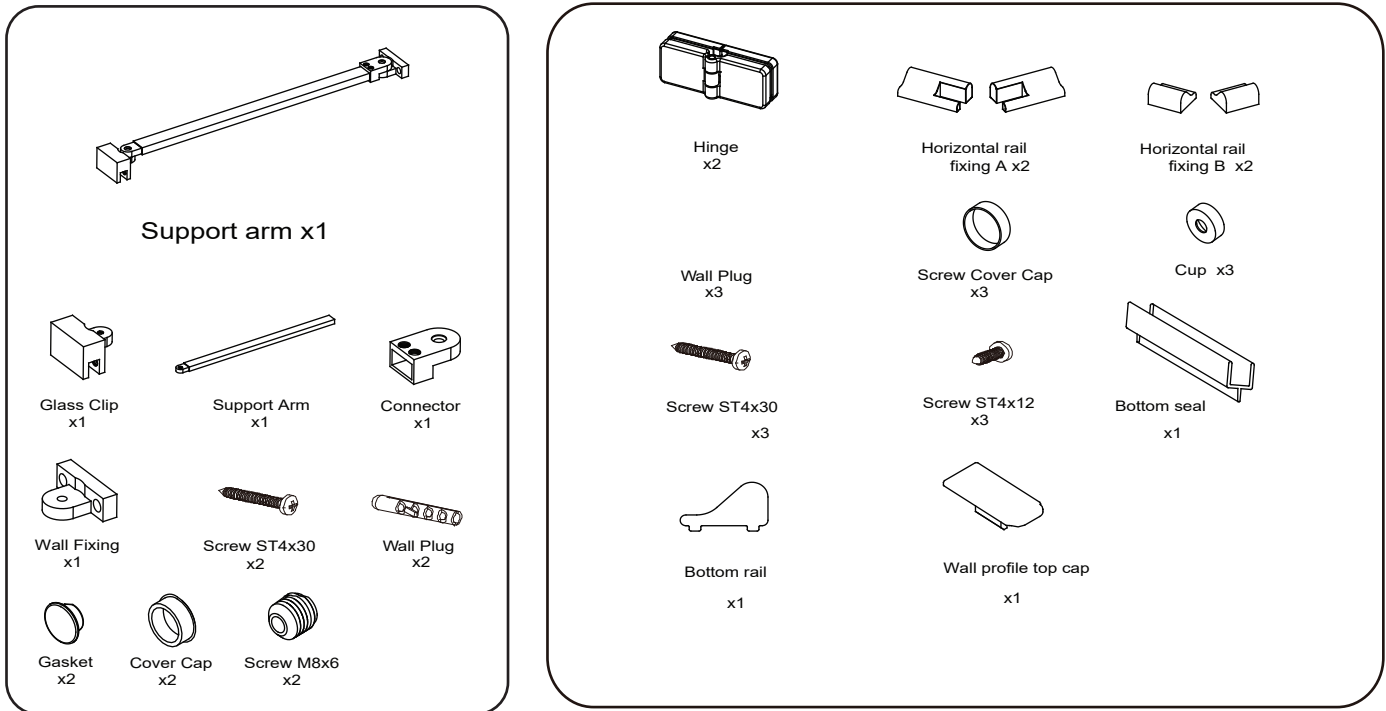


Box Contents

NO.	Description	Qty	NO.	Description	Qty
1	Wall profile	1	9	Bottom rail fixing cap A	1
2	Wall profile top cap	1	10	Bottom rail	1
3	Fixed panel assembly	1	11	Bottom rail fixing cap B	2
4	Hinges	2	12	Wall plug	5
5	Vertical bubble seal	1	13	Screws ST 4x30	5
6	Support arm	1	14	Screw caps	3
7	Door panel	1	15	Screws ST 4x12	3
8	Bottom seal	1	16	Screw caps	3

FIXING KIT COMPONENTS, SITE CONDITIONS

FIXING KIT



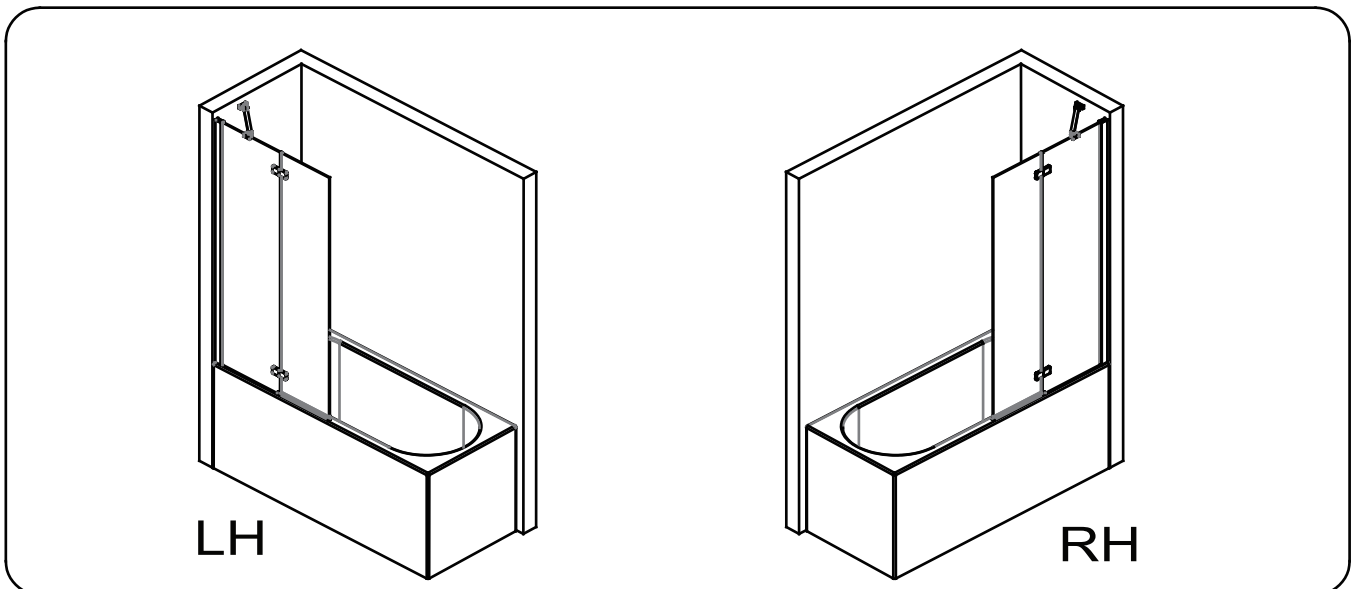
IMPORTANT - Missing Components

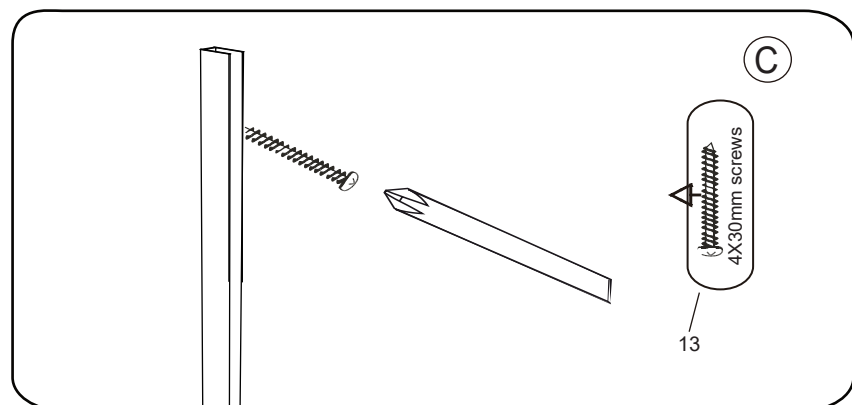
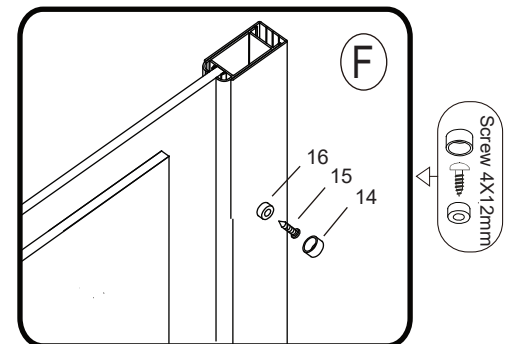
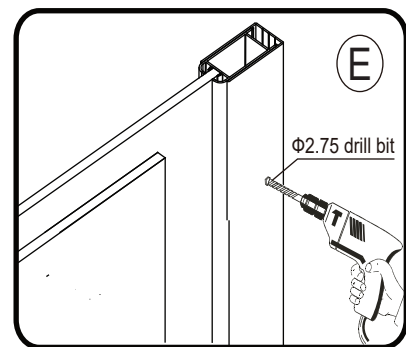
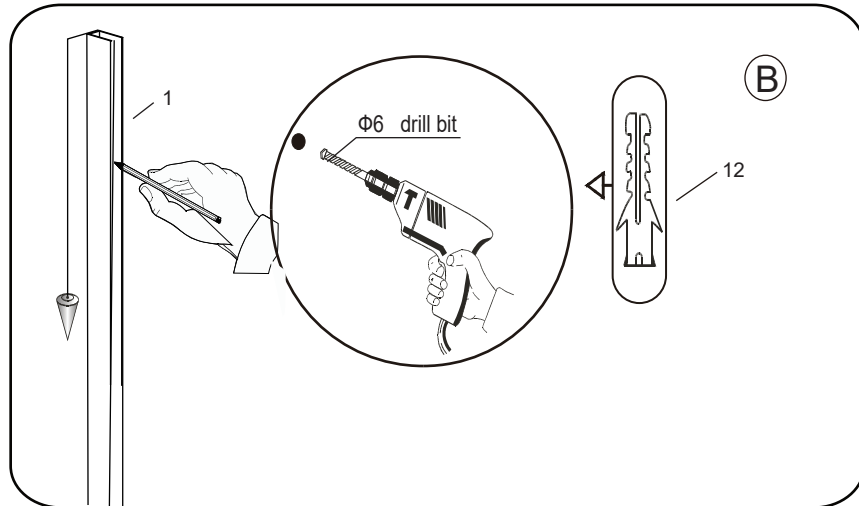
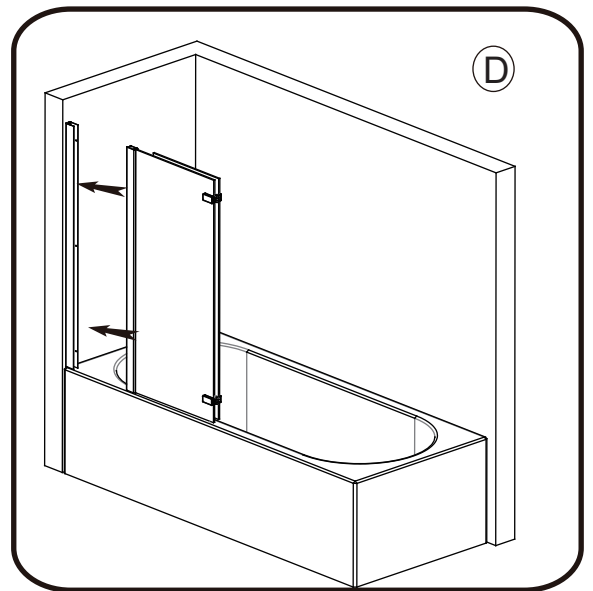
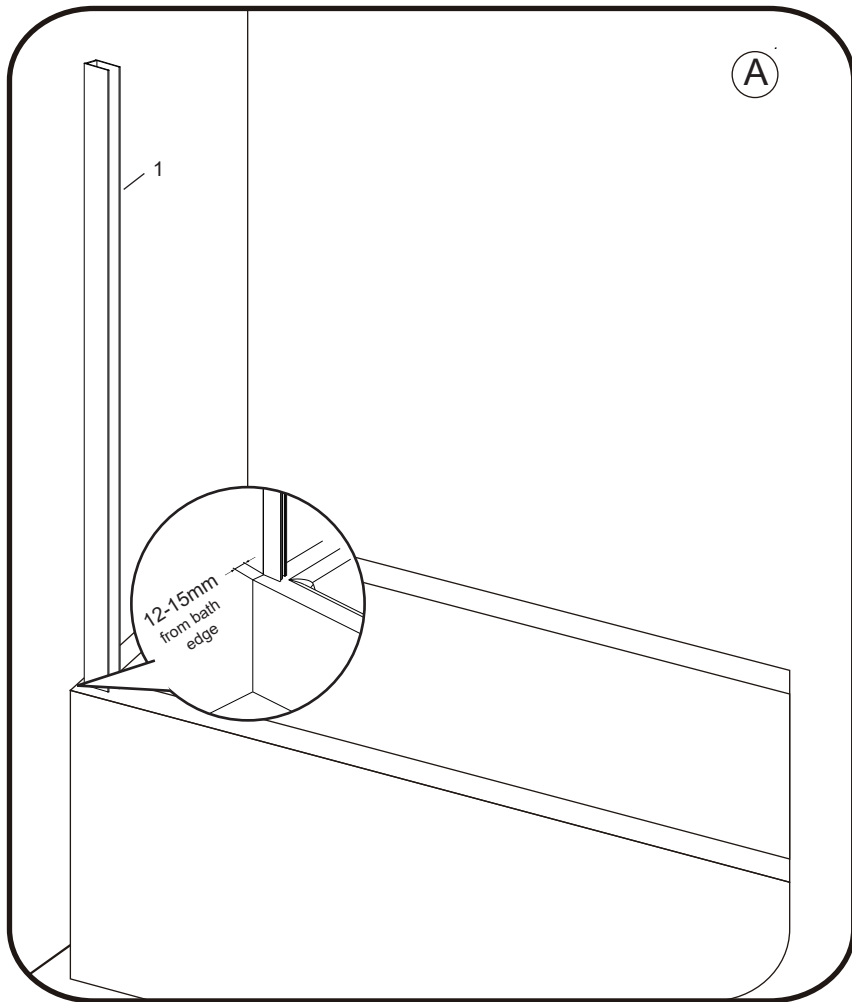
Please check this product for missing components prior to installation.

For spare parts visit www.aquadart.co.uk .

IMPORTANT - Installation site

1. Ensure the top surface of the bath on which the bath screen will be installed is level in very direction.
2. The tiles or other wall finishing should be effectively sealed at bath edges.
3. Tiles should extend at least to the corner of the bath.
4. The screen can only be constructed in the hand that is specified on the box label. This instruction is showing the installation process for a LH screen.'





Step 1 : Position the wall profile (1) onto the bath, approximately 12-15mm from the outside bath edge to ensure that the screen runs along the inside edge of the bath rim.(A)

Step 2 : Level the profile with a spirit level, then mark the position using a pencil,mark through the 3 pre-drilled screw holes in the wall profile then drill the marked points using a 6mm masonry drill bit.Once this is done insert 3 wall plugs(12).(B)

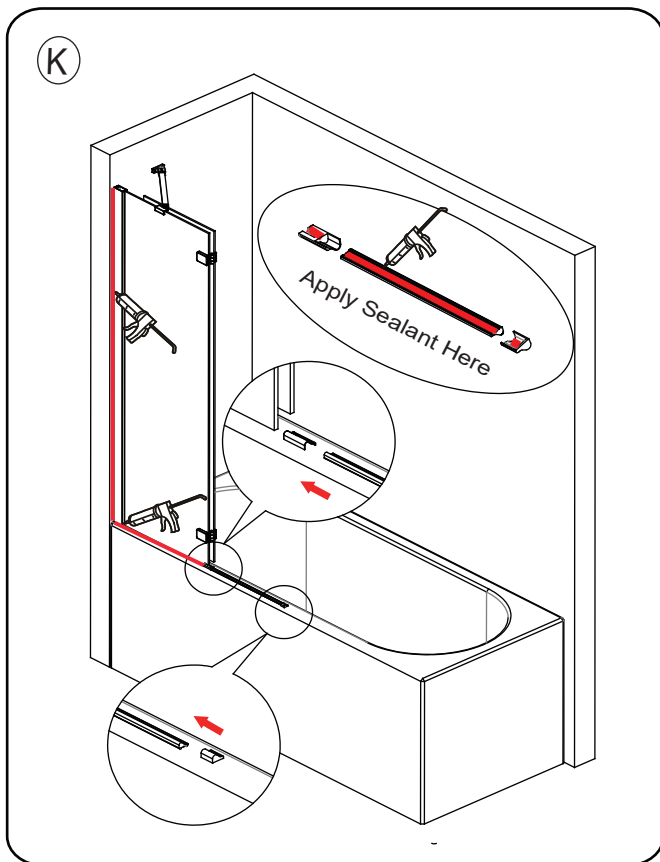
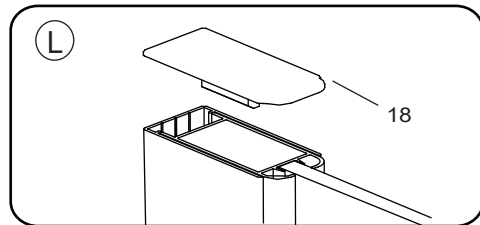
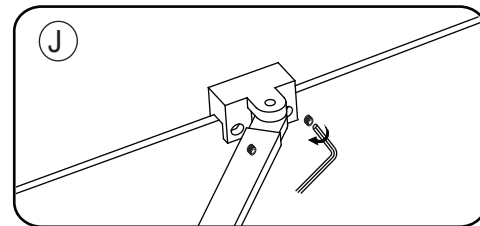
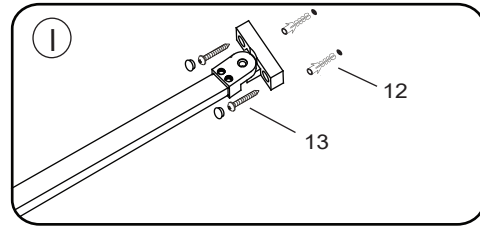
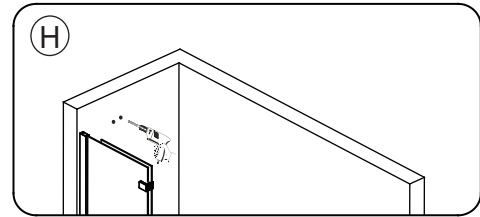
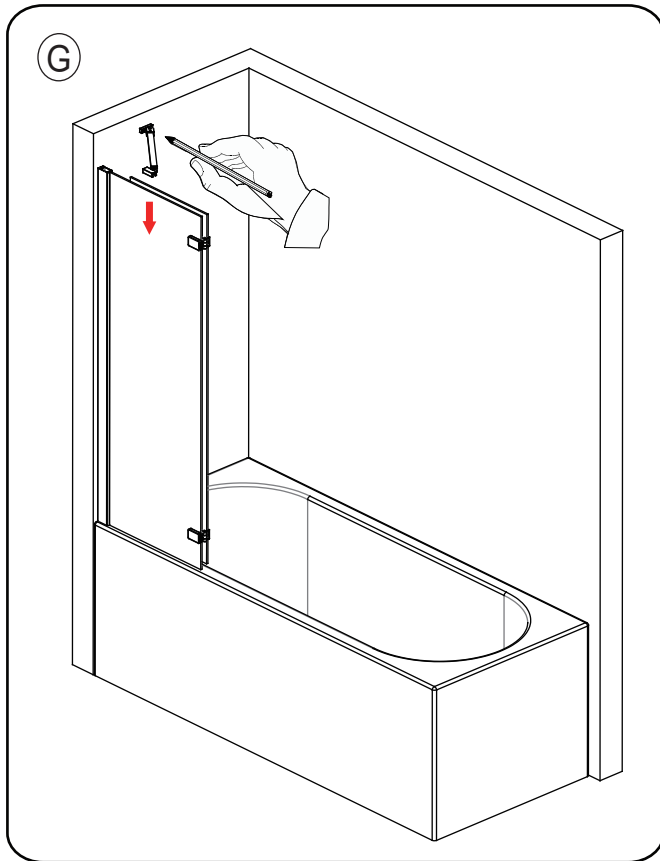
NOTE: You may find it easier to mark and drill the wall if you apply masking tape to it first.

Step3 : secure the wall profile using 3 x ST4X30 screws (13). (C)

Step 4 : Carefully position the screen into the wall profile. (D)

Step 5 : Drill the holes in the wall profile through the vertical profile of the fixed panel using 2.75 drill bit (E), secure profiles together using the 3 x ST4X12(15) ,cover caps(14) and the screw cups(16).(F)

Fitting The Support Arm & The Bath Channel Bottom Rail



Step 6 : Position the support arm(6) on the fixed glass panel , ensure that the arm is level and horizontal, mark the position on the wall.(G)

Step 7 : Remove the support arm then drill on the wall through the marked position using a 6mm masonry drill bit,then insert the wall plugs(12)(H)

Step 8 : Replace the support arm onto the fixed glass,attach it onto the wall using 2 x ST4X30 screws.(13)(I). Attach the glass clamp onto the fixed panel using the 2 x M8X6 grub screws.(J)

Step 9 : Place a small amount of silicon sealant onto the bottom of the bottom rail fixing cap A(9),bottom rail(10),and bottom rail fixing cap B(11),then secure them into position on the bath per diagram (K)

Step 10 :Fit the top cap (2) onto the wall profile. (L)

Applying Silicone Sealant

Sealing Inside

Seal from the top of the wall profile to the bottom on the INSIDE between the wall profile and the wall

IMPORTANT:Do not apply sealant on inside of bath

Sealing Outside

Seal only along the bottom rail and fixed glass on the OUTSIDE between the profile/glass and the bath. Also up between the wall profile and the wall.

24 HRS



DO NOT USE THE ENCLOSURE FOR 24 HOURS AFTER SEALING

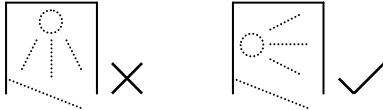
AFTERCARE

Cleaning Instructions

It is important to clean your Aquadart shower enclosure after every use. Please wipe down all glass and metal parts with a clean soft cloth. Ensure that all residual water on the glass is removed after every use.

Usage

For reliable, watertight performance from your Aquadart enclosure your shower head should not be positioned so that the shower sprays directly onto the enclosure door. Failure to comply with this may cause the shower to leak. Outward opening doors may cause water to drip onto the floor, please ensure that the floor covering immediately outside the enclosure will not be affected by water.



This product has been treated with Clean & Clear™ easy clean glass treatment, a protective barrier which creates a 'non-stick' surface on your glass, helping to resist lime scale build up and water spots. For further information on Clean & Clear™ please visit www.aquadart.co.uk

Aftercare

Clean & Clear™ glass can be cleaned with any suitable nonabrasive glass cleaner - with PH value of between 3-11; the coating will not be damaged. Avoid surfactants and heavily perfumed products. Vinegar and water based products are very effective. Do not use abrasive scrubbing cleaners or equipment for cleaning.

Warranty

Limited 5 year Warranty for Clean & Clear™ treatment: To guarantee treated surfaces will remain more repellent than untreated glass for 5 years from start of use, as long as basic manufacturer maintenance recommendations are followed and no harsh or abrasive cleaners are used.

AQUADART

Riverside Business Park, Royd Ings Avenue, Keighley, West Yorkshire, BD21 4AF
For technical / aftersales queries, please visit our website : www.aquadart.co.uk
or Sales Tel : 01535 613830 Technical: 01535 613830 Fax: 01535 613831

